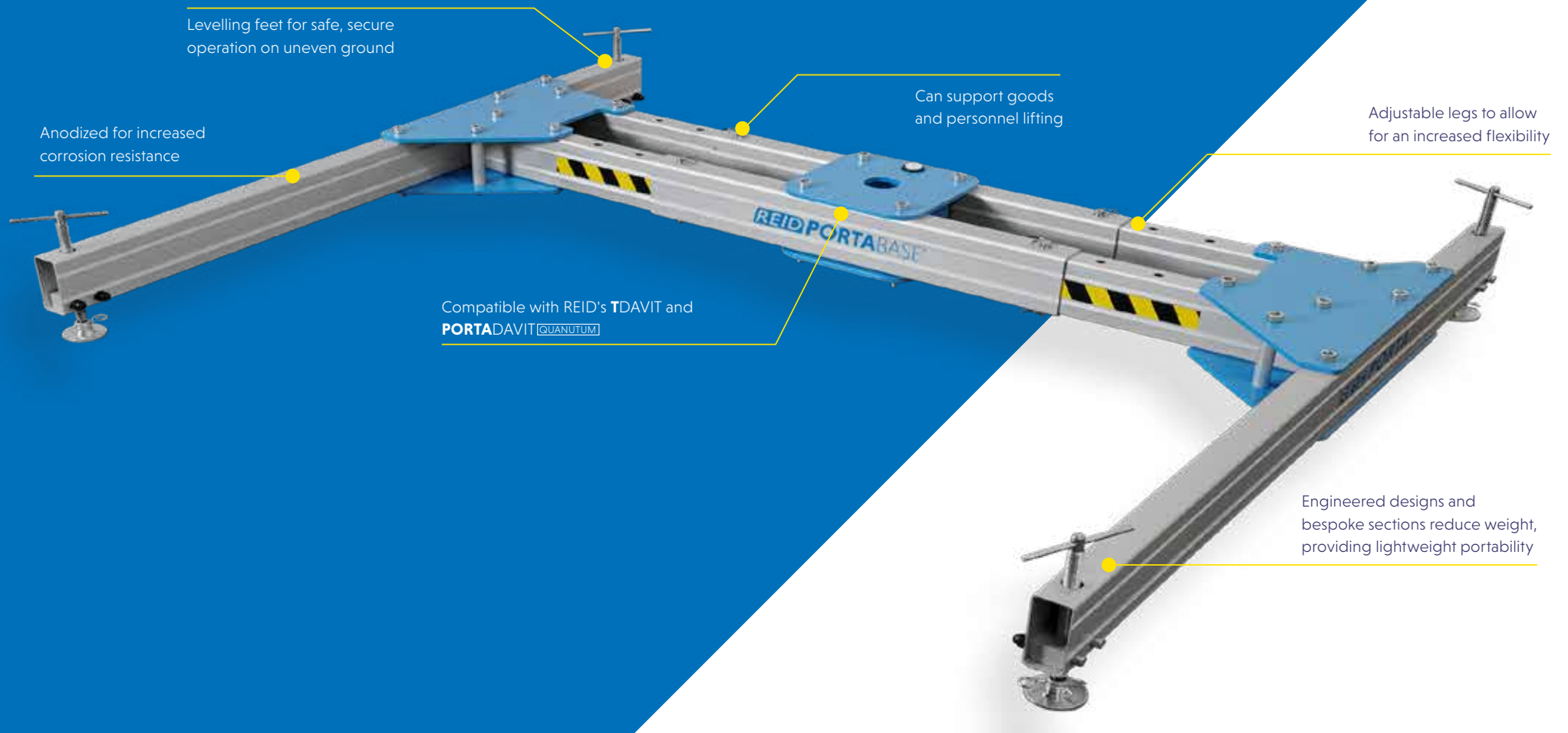


**> PORTABASE<sup>®</sup>**  
H Base

# ▶ PORTABASE® H Base



Levelling feet for safe, secure operation on uneven ground

Anodized for increased corrosion resistance

Can support goods and personnel lifting

Adjustable legs to allow for an increased flexibility

Compatible with REID's TDAVIT and PORTADAVIT QUANTUM

Engineered designs and bespoke sections reduce weight, providing lightweight portability

The **PORTABASE H Base** is a three piece, portable system which can be easily broken down for transportation.

Expertly engineered to provide full use and compatibility with the **TDAVIT** and **PORTADAVIT QUANTUM** providing maximum flexibility where the installation or use of a fixed socket is not possible.

The **PORTABASE H Base** enables our Davit products to be used for lifting goods up to 1320lb, as well as providing access and egress for confined space and work at height tasks, including as an anchor point for fall arrest scenarios.

## Key features

- OSHA compliant
- ANSI Z359.18 compliant for fall protection applications\*
- Can support goods and personnel lifting;
  - Goods capacity of up to 1320lb
  - Personnel capacity of up to 660lb
- Breaks down in to 3 components for ease of transportation
- Designed for ease of assembly using pins, with no bolted sections or the need for tools
- Detachable legs for ease of transportation
- Levelling feet designed to support the system to function correctly on uneven ground
- Compatible with the use of **TDAVIT** and **PORTADAVIT QUANTUM**
- Clean, anodized finish for increased corrosion resistance
- Engineered designs and bespoke sections reduce weight, providing lightweight portability



**1320LB  
CAPACITY**



**1-2 PERSON  
ASSEMBLY**



**3 MANAGEABLE  
COMPONENTS**



**ANSI Z359.18  
COMPLIANT**

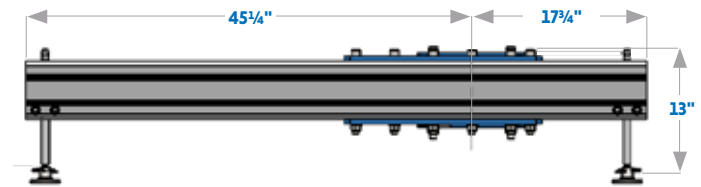
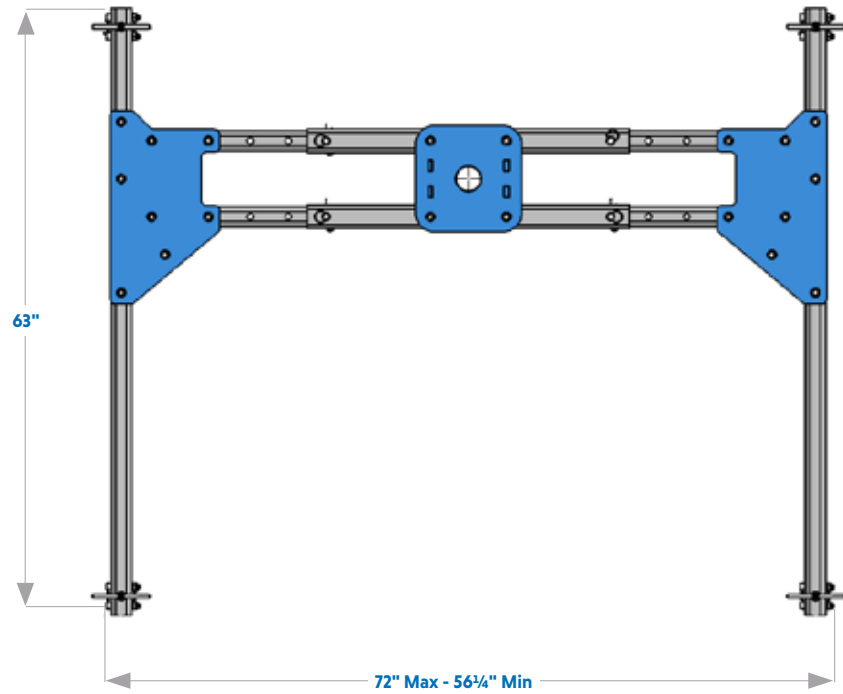
## Features & Performance

<b>H BASE</b>	
<b>Accreditations, Certifications &amp; Standards</b>	
OSHA Compliant	✓
ANSI Z359.18-17*	✓
<b>Capacity</b>	
Maximum Goods Lifting [lb]	1320
Maximum Personnel Lifting [lb]	660
Fall Arrest [Persons]	1
Maximum Reach [inch]	31½
<b>Dimensions</b>	
Minimum Base Width [inch]	56¼
Maximum Base Width [inch]	72
Minimum Base Height [inch]	8½
Maximum Base Height [inch]	13
Overall Length [inch]	63
<b>Compatible Products</b>	
Porta Davit Quantum [Restricted]	✓
T Davit [Winched]	✓
T Davit [Double Winched]	✓
<b>Standard Features</b>	
Levelling Feet	✓
Individual Component Weight < 50lb	✓
No Tools Required	✓
<b>Finishes</b>	
Anodized / Powder Coated	✓
316SS Fixings	Optional
Marine Spec	Optional

\*Due to the range and complexities of our Davit systems, please refer to the 'Fall Protection Application' section of our Assembly & Operation Guide.

Dimensions in the table are approximate values. For more accurate details please refer to the Dimension Table.  
All line items marked with a '✓' come as standard. All line items marked with a 'X' are not available.  
All line items marked with 'optional' are available as an option and may incur additional costs.

# PORTABASE® H Base | Dimensions

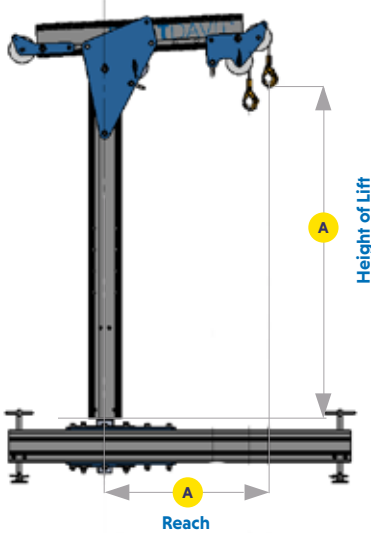


Product Code	Description
US-PBHB00001	PORTABASE H Base Standard - Max 31 1/2" Reach

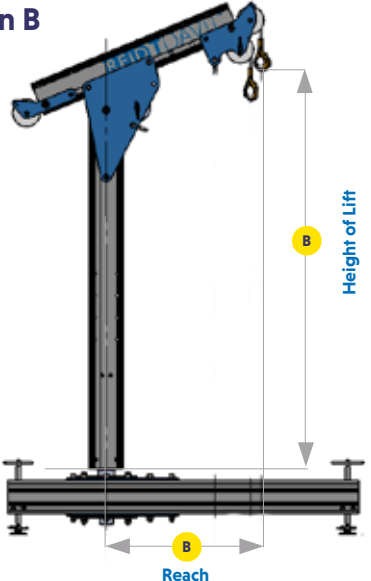
Component	Weight [lb]
Central Hub	41
Leg Assembly [Each]	49.5
<b>Total Weight</b>	140

**PORTA**BASE® H Base | **TDAVIT**® Double Winched

**Position A**



**Position B**

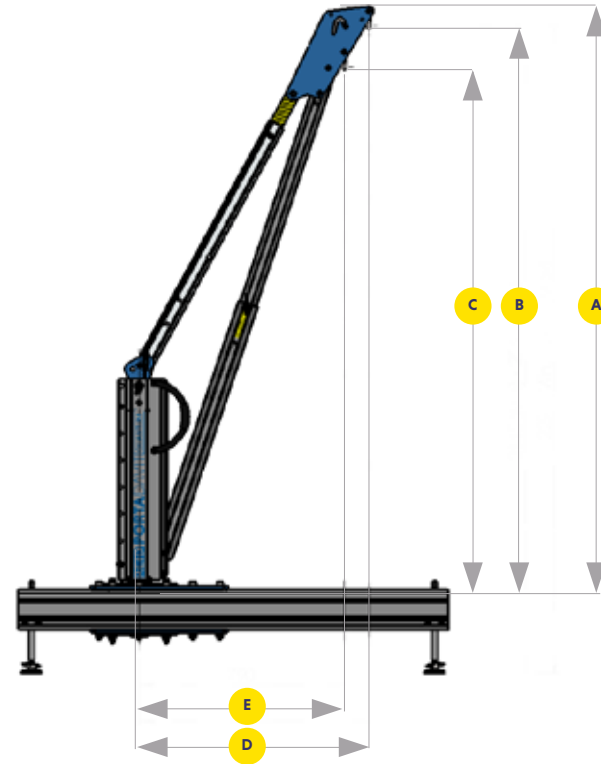


PRODUCT CODE	HEIGHT OF LIFT (HOL)		REACH		CAPACITY			DAVIT WEIGHT [LB]
	Position A	Position B	Position A	Position B	Goods [lb]	Personnel [lb]	Fall Arrest	
<b>US-TDDWA3A0</b>	50¾"	60¾"	31½"	29¾"	1320	660	1 Person	75
<b>US-TDDWA4A0</b>	63¾"	73"	31½"	29¾"	1320	660	1 Person	79
<b>US-TDDWA5A0</b>	75½"	85¾"	31½"	29¾"	1320	660	1 Person	86

ANSI Z359.18 2017 and OSHA compliant. Contact us for details.

# PORTABASE® H Base | PORTADAVIT QUANTUM® Reduced Reach

- A** Overall height
- B** Height to outer shackle
- C** Height to inner shackle
- D** Reach to outer shackle
- E** Reach to inner shackle



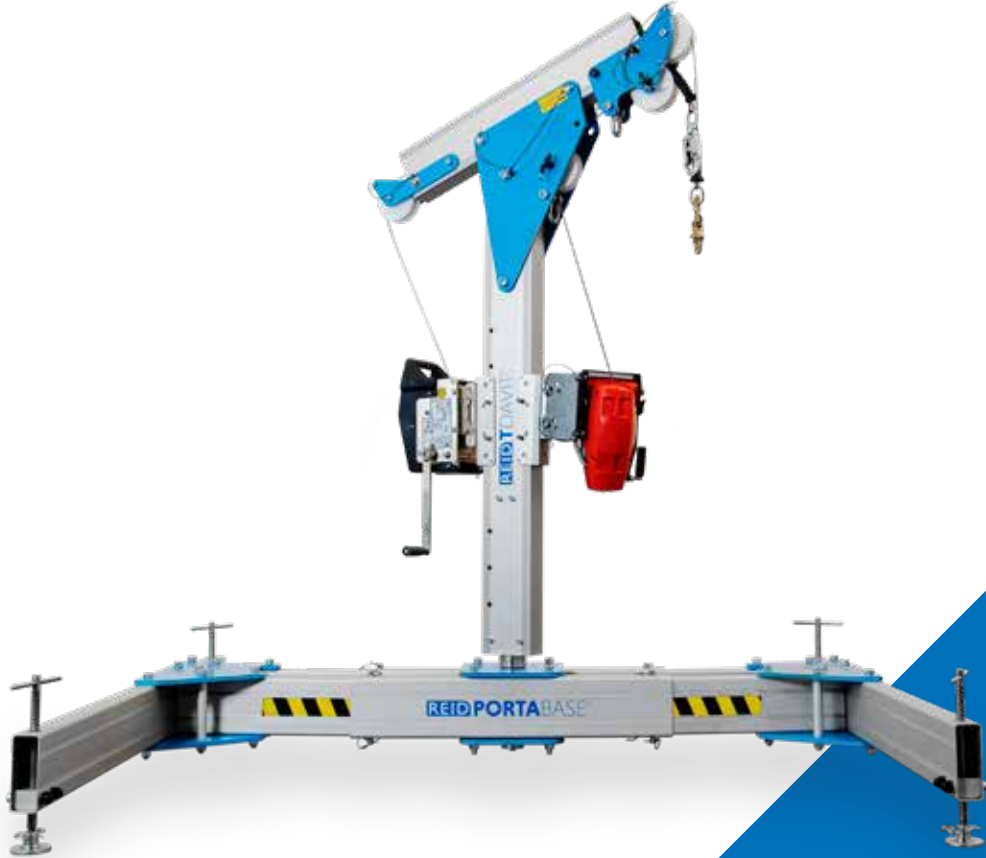
## DIMENSIONS

PRODUCT CODE	SYSTEM WEIGHT [lb]	GOODS CAPACITY [lb]	PERSONNEL CAPACITY [lb]	FALL ARREST	REACH ADJUSTMENT POINTS	A	B	C	D*	E*
US-PDQR	50	1320	660	1 Person	1	84½"	81¾"	76"	31½"	27¾"

\*Radii achieved at = 75% Capacity

OSHA compliant. Contact us for details.

**PORTABASE® H Base | Compatible Systems**



**TDAVIT®**



**PORTADAVIT QUANTUM®**

# > Contact Us

## **REID Lifting Inc, USA**

7900 International Drive  
Suite 300  
Bloomington  
MN 55425

- > +1-(888)-721-6411
- > [info@reidlifting.com](mailto:info@reidlifting.com)
- > [us.reidlifting.com](http://us.reidlifting.com)

PBH/DS/US/V3/09/2021

All information herein is copyright protected by REID Lifting Ltd. All company and product names are Trade Mark and Trade Name protected and all REID Product IPR is protected under Patents, Patents Pending and/or Design Rights.



Printed using environment friendly processes and materials.

## **REID Lifting Inc**

7900 International Drive,  
Suite 300,  
Bloomington,  
MN 55425

- > +1-(888)-721-6411
- > [info@reidlifting.com](mailto:info@reidlifting.com)
- > [us.reidlifting.com](http://us.reidlifting.com)