

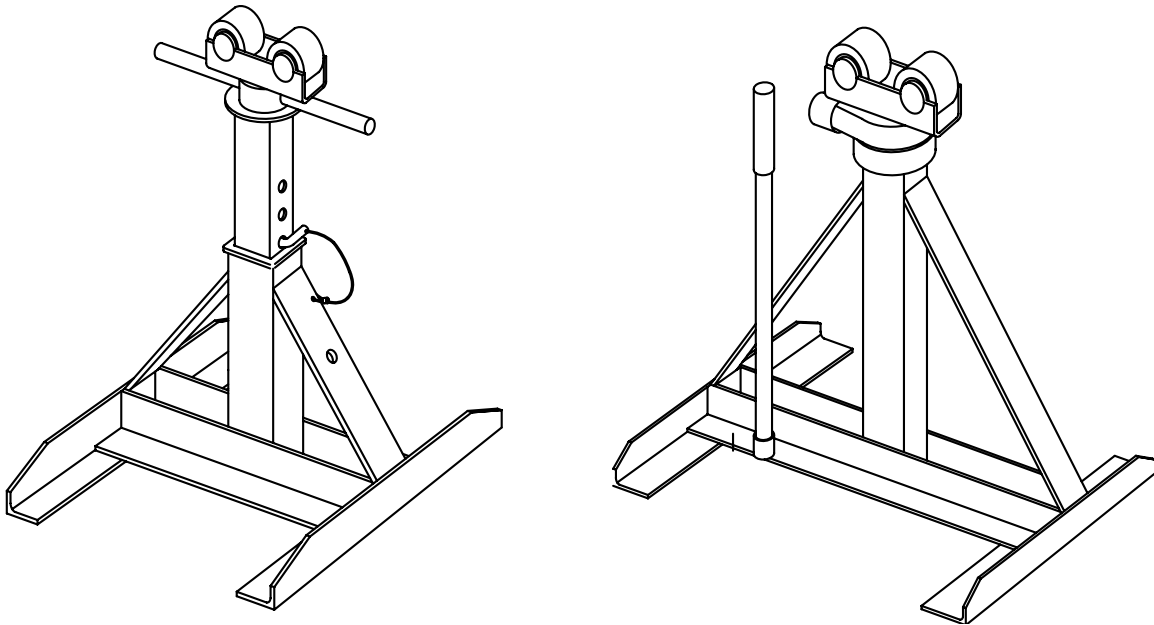


# **Current Tools**

FOR THE PROFESSIONAL ELECTRICIAN

## **Current Tools™ Reel Stands and Spindles**

**Models 660, 670, 680 Reel Stands  
Models 661, 671, 681 Spindles**



## **Operating, Maintenance, Safety and Parts Manual**

03/15



**Read and understand this material before using the Reel Stands and Spindles. Failure to understand how to safely operate and service these units could result in serious injury or property damage.**

This manual is free of charge. All personnel who operate the Reel Stands and Spindles should have a copy of this manual and read and understand its contents. To request a copy, call, write to the address below, or visit our website.

**CURRENT TOOLS • P. O. BOX 17026 GREENVILLE, SC 29606  
800.230.5421 or 864.721-4230 • FAX 864.721-4232  
www.currenttools.com**



## TABLE OF CONTENTS

|                                     |          |
|-------------------------------------|----------|
| <b>Safety Alerts</b> .....          | <b>2</b> |
| <b>Safety Information</b> .....     | <b>3</b> |
| <b>Specifications</b> .....         | <b>4</b> |
| <b>Operating Instructions</b> ..... | <b>5</b> |
| <b>Maintenance</b> .....            | <b>6</b> |
| <b>Parts List</b> .....             | <b>6</b> |



## SAFETY ALERTS



# Safety Alert Symbol

THIS SAFETY SYMBOL is used to call your attention to instructions that concern your personal safety. It means: ATTENTION! BE AWARE! THIS IS AN IMPORTANT SAFETY INSTRUCTION!

Read, understand and follow these safety instructions. Failure to follow these safety instructions may result in injury or death.

### **DANGER**

Immediate hazards which, if not avoided, WILL result in serious personal injury or death.

### **WARNING**

Hazards or unsafe practices which, if not avoided, COULD result in serious personal injury or death.

### **CAUTION**

Hazards or unsafe practices which, if not avoided, COULD result in minor personal injury or property damage.

## RETAIN SAFETY INFORMATION



This manual should be read and understood by all personnel who operate or service the Reels Stands and Spindles. Failure to understand how to safely operate and service these units could result in serious injury or property damage. The Reel Stands and Spindles should only be operated and serviced by qualified personnel.



## IMPORTANT SAFETY INFORMATION

Follow ALL safety information provided by the manufacturer.

- ▲ CAUTION** ALWAYS use the reel stands on a smooth, level, firm surface.
- ▲ CAUTION** ALWAYS chock cable reels at points where they contact the ground to prevent movement during set up
- ▲ CAUTION** Hands and feet must be kept clear when loading and unloading cable reels.
- ▲ CAUTION** Make sure work area is clear of bystanders prior to loading, unloading or dispensing cable. A moving reel can injure nearby personnel.
- ▲ CAUTION** Only use the correct Current Tools spindle with the reel stands. DO NOT substitute any other material for the Current Tools spindle as they may not support the cable reel or may fall off the reel stands.
- ▲ CAUTION** Casters or wheels should not be attached to reel stands.
- ▲ CAUTION** NEVER exceed the maximum rated capacity of the reel stand.
- ▲ CAUTION** NEVER use the reel stand for any purpose other than the manufacturers intended use. Personal injury or property damage may result if used in any manner other than what is described in this manual.



## REEL STANDS

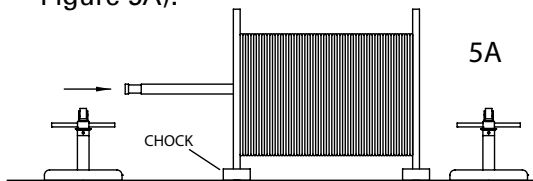
|                             |   |
|-----------------------------|---|
| <b>Model No.</b>            | 660   |
| <b>Max. Reel Diameter</b>   | 56"   |
| <b>Max. Weight Capacity</b> | 2,500 lb. each  |
| <b>Base Dimensions</b>      | 14 <sup>5</sup> / <sub>8</sub> " X 14 <sup>7</sup> / <sub>8</sub> " |
| <b>Weight</b>               | 27 lbs.   |
| <b>Max. Height</b>          | 27"   |
| <b>Model No.</b>            | 670   |
| <b>Max. Reel Diameter</b>   | 96"   |
| <b>Max. Weight Capacity</b> | 2,500 lb. each  |
| <b>Base Dimensions</b>      | 18" X 24 <sup>5</sup> / <sub>8</sub> "                              |
| <b>Weight</b>               | 46 lbs.   |
| <b>Max. Height</b>          | 54"   |
| <b>Model No.</b>            | 680   |
| <b>Max. Reel Diameter</b>   | 90"   |
| <b>Max. Weight Capacity</b> | 3,750 lb. each  |
| <b>Base Dimensions</b>      | 21" X 24 <sup>5</sup> / <sub>8</sub> "                              |
| <b>Weight</b>               | 99 lbs.   |
| <b>Max. Height</b>          | 45"   |

## SPINDLES

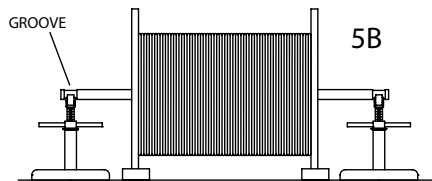
|                                    |          |
|------------------------------------|----------|
| <b>Model No.</b>                   | 661      |
| <b>Max. Reel Width</b>             | 47"      |
| <b>Weight</b>                      | 39 lbs.  |
| <b>Use with Reel Stand Numbers</b> | 660, 670 |
| <b>Model No.</b>                   | 671      |
| <b>Max. Reel Width</b>             | 61"      |
| <b>Weight</b>                      | 47 lbs.  |
| <b>Use with Reel Stand Numbers</b> | 660, 670 |
| <b>Model No.</b>                   | 681      |
| <b>Max. Reel Width</b>             | 88"      |
| <b>Weight</b>                      | 119 lbs. |
| <b>Use with Reel Stand Number</b>  | 680      |

# OPERATING INSTRUCTIONS

- 1 A complete setup consists of two of the same model number Current Tools reel stands and one Current Tools reel stand spindle. (The #661 spindle and the #671 spindle must only be used with the #660 or #670 reel stands. The #681 spindle must only be used with the #680 reel stand).
- 2 Chock the cable reel to prevent movement during setup.
- 3 Insert the correct spindle through the center holes of the cable reel (See Figure 5A).

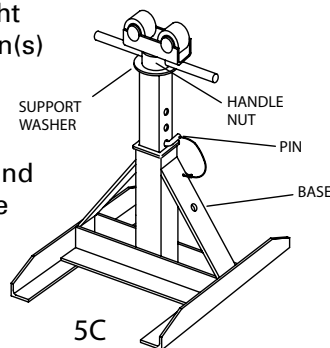


- 4 Place a reel stand under each end of the spindle and align the reel stand rollers with the grooves in both ends of the spindle. (See Figure 5B).



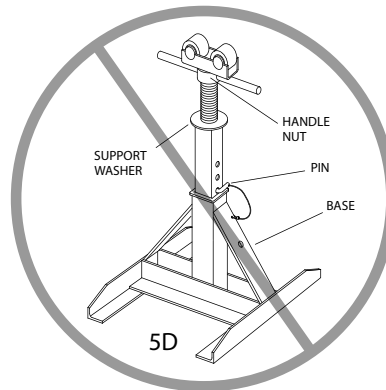
**NOTE:** Depending on the beginning spindle height, it may be necessary to elevate the telescoping square tubing of the 660 or 670 reel stand. Manually lift the telescoping square tubing to the desired height and insert the pin(s) provided.

Pin(s) should go through both sides of tubing and rest on top of the base to prevent downward movement. (See Figure 5C).



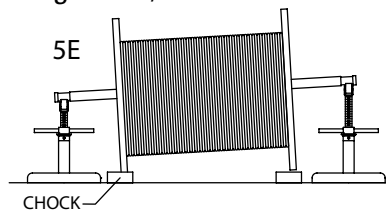
## CAUTION

NEVER support a load with handle positioned as shown below. Bottom of handle nut must always contact support washer as shown in Figure 5C.



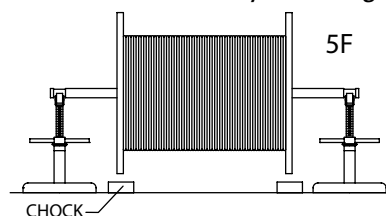
Failure to observe this precaution may result in injury or property damage.

- 5 Raise the threaded rod on one of the reel stands by turning the handle clockwise until the cable reel clears the ground. (See Figure 5E).



**NOTE:** For the Model #680 reel stand, thread the handle into the ratchet assembly prior to use and insure that the ratchet pawl is set so the clicking sound is heard when the ratchet assembly is turned counter clockwise.

- 6 Raise the threaded rod on the other reel stand until the spindle is level and the cable reel rotates freely. (See Figure 5F).



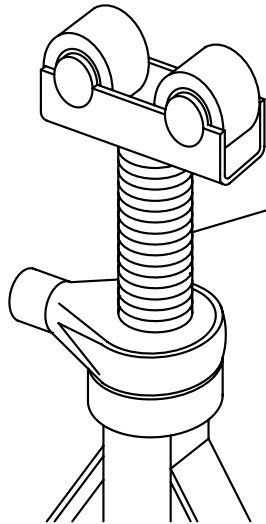
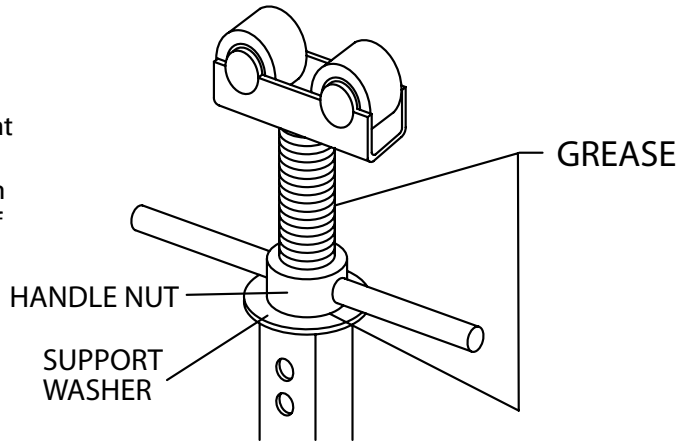
- 7 After dispensing cable, reverse the procedure above to lower the cable reel. Be sure to chock the cable reel as it is lowered to prevent movement.



# MAINTENANCE

## 660/670

Prior to each use, apply a thin coat of a multi-purpose grease to the threaded shaft as well as between the handle nut and the top side of the support washer that the handle nut rests on.



## 680

Prior to each use, apply a generous coat of a multi-purpose grease to the threaded shaft. Keep the components free of debris.



# PARTS LIST – REEL STANDS

| <u>PART #</u> | <u>QTY</u>             | <u>DESCRIPTION</u>           |
|---------------|------------------------|------------------------------|
| 680-10A.....  | 1 .....                | HANDLE WITH GRIP (680)       |
| 680-10E ..... | 1 .....                | PAWL (680)                   |
| 680-10D.....  | 1 .....                | SPRING – RATCHET KNOB (680)  |
| 680-10B.....  | 1 .....                | KNOB – RATCHET (680)         |
| 680-10C.....  | 1 .....                | PIN – RATCHET (680)          |
| 660-7 .....   | 1 .....                | STRANDED CABLE FOR 660 (12") |
| 670-7 .....   | 2 .....                | STRANDED CABLE FOR 670 (22") |
| 670-6 .....   | 1 (660), 2 (670) ..... | FERRULE                      |
| 670-6A.....   | 1 (660), 2 (670) ..... | STOP                         |
| 660-976 ..... | 1 (660) 2 (670) .....  | PIN – "L" SHAPE STOP         |