



HOLEMAKING

Heavy Duty Piece Maker™ SS Knockout Sets for Stainless Steel

- Punch up to 2" holes in a maximum of 10 gauge stainless steel
- Punch 2½" to 4" holes with optional Model #166SS (see pages 43 and 44)
- Designed to split the slug into two pieces for easy removal
- Punches are manufactured from tool steel for high strength and long life
- Requires less force than conventional punches
- Compare with Greenlee® Slug-Splitter® Models 7307 and 7506*
- Made in the USA



*Piece Maker™ SS
Punches are designed
to split the slug into
two pieces for easy
removal from die
after punch completion*



**All items
including punches
& dies will fit
Greenlee®
Slug-Splitter®
Knockout Sets!**



Model 160SS



Model 161SS

Scan here for manual



Catalog Number	Description	Weight	UPC
160SS	1/2" to 2" Heavy Duty Piece Maker™ SS Knockout Set for Stainless Steel	11 lbs.	811993021336
161SS	1/2" to 2" Heavy Duty Piece Maker™ SS Hydraulic Knockout Set for Stainless Steel	33 lbs.	811993021343

*Greenlee® and Slug-Splitter® are registered trademarks of Greenlee Tools, Inc.



Current Tools
FOR THE PROFESSIONAL ELECTRICIAN

www.currenttools.com

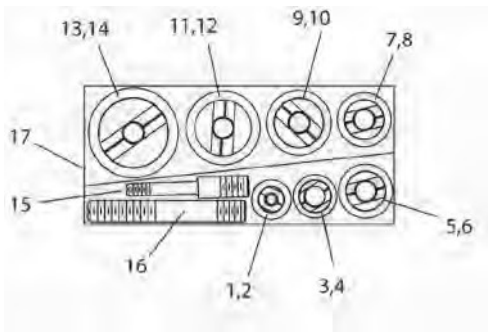
P.O. Box 17026 • Greenville, SC 29606 • 864.721.4230 • fax 864.721.4232 • 800.230.5421



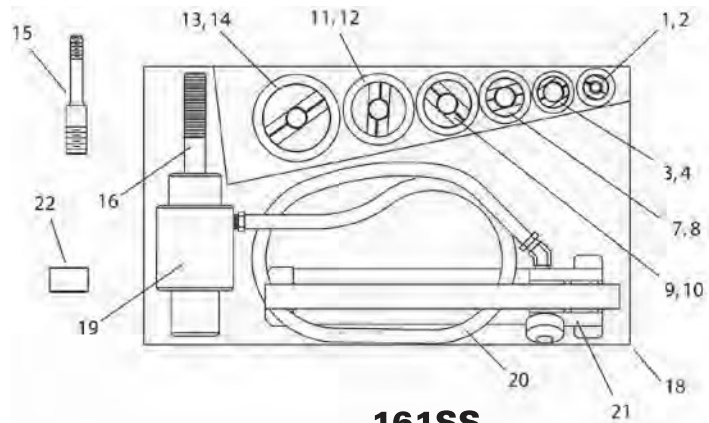
Heavy Duty Piece Maker™ SS Knockout Sets



Item Number	Catalog Number	Description	#160SS	#161SS	
1	1536	1/2" SS Punch	1	1	UPC 811993021435
2	1537	1/2" SS Die	1	1	UPC 811993021442
3	1538	3/4" SS Punch	1	1	UPC 811993021459
4	1539	3/4" SS Die	1	1	UPC 811993021466
5	1540	1 7/32" SS Punch	1		UPC 811993021473
6	1541	1 7/32" SS Die	1		UPC 811993021480
7	1542	1" SS Punch	1	1	UPC 811993021497
8	1543	1" SS Die	1	1	UPC 811993021503
9	1544	1 1/4" SS Punch	1	1	UPC 811993021510
10	1545	1 1/4" SS Die	1	1	UPC 811993021527
11	1546	1 1/2" SS Punch	1	1	UPC 811993021534
12	1547	1 1/2" SS Die	1	1	UPC 811993021541
13	1548	2" SS Punch	1	1	UPC 811993021558
14	1549	2" SS Die	1	1	UPC 811993021565
15	1574	3/4"- 7/16"x 4 1/4" SS Draw Stud	1	1	UPC 811993021688
16	1575	3/4"x 5 1/2" SS Draw Stud	1	1	UPC 811993021695
17	1600	Metal Case - 160SS	1		UPC 811993021749
18	1500	Metal Case - 161SS		1	UPC 811993021350
19	1522	Ram		1	UPC 811993021411
20	1523	1/4" x 3' Hydraulic Hose		1	UPC 811993021428
21	1521	Hydraulic Hand Pump		1	UPC 811993021404
22	1553	Spacer - S		1	UPC 811993020001



160SS



161SS

