

SER HEAVY DUTY ELECTRIC CHAIN HOIST SERIES

Household voltage. Industrial power.

Need a single phase powered hoist with the duty cycle of a three-phase hoist? Look no further than the SER. Designed to exceed H4 industrial use ratings, the SER is equipped with a TEFC motor and a maintenance-free, self-adjusting, pull-rotor brake. That means you'll get a single phase hoist that's able to handle the long lifts and long shifts of any industrial job.



Extreme-Duty, Single-Phase Fan-Cooled Motor

The SER electric hoist is equipped with a 60-minute H4-rated motor which is unmatched in a single-phase offering. Built for extremes, the SER delivers proven performance in the most demanding applications.

Self-Adjusting Maintenance-Free Brake

With no brake coil to fail or discs to replace, the electromagnetic pull rotor brake on the SER is self-adjusting and virtually maintenance-free.

Long-Life Friction Clutch

The friction clutch is designed to last so you can focus on the job at hand. Keep lifting longer with protection from overloading and overwinding which can damage the hoist.

Heavy Cast-Iron Chain Guide

The heavy cast-iron chain guide provides quiet and smooth chain movement. Easily removed without disassembly of the hoist, it allows for easy maintenance in those demanding heavy-duty applications.

Oil Bath-Lubricated, Heat-Treated Gearing

KITO's own heat-treating process increases the overall hardness and strength of internal parts which run smoothly when immersed in an oil bath. This extends service life by reducing friction, vibration, and heat.



WWW.KITO.CA | 1.888.322.KITO (5486)

All specifications, dimensions and drawings are available at www.kito.ca, or call our Customer Service staff for friendly and expert advice on models and options.

SINGLE PHASE ELECTRIC CHAIN HOISTS 1

SER HEAVY DUTY ELECTRIC CHAIN HOIST SERIES

CAPACITY

- 1/4 to 3 metric tonnes

STANDARDS

- CSA approved
- Meets ASME B30.16
- ASME 4
- IP55 dust-tight and watertight environmental protection
- At rated capacity, load-bearing parts are only stressed to 25% of their limit

OPTIONS

- Plastic, canvas, or steel chain containers
- Lift lengths can be customized to suit requirements
- Plain or geared trolley mount

BODY

- Die-cast aluminum frame
- Completely sealed body
- Low headroom profile

GEARS

- Induction-hardened, durable alloy steel helical and spur gears submerged in an oil bath

LOAD CHAIN

- Grade 80
- Nickel-plated and corrosion-resistant

CHAIN GUIDE

- Long-lasting, heavy-duty cast iron construction, easily replaced without disassembling hoist

HOOKS

- Forged carbon steel opens gradually without fracturing under excessive loads. Bottom hook swivels 360 degrees
- Self-closing top and bottom hooks with heavy-duty hook latch

CONTROLS

- Located on one central electrical panel
- Control Voltage: 110 volts

PUSH BUTTON STATION

- Impact-resistant plastic with molded strain relief to avoid damage from pulling on the push button cord
- IP65 dust-tight and watertight environmental protection

BEARINGS

- High-quality, anti-friction ball and roller design

BRAKE

- Durable and reliable pull-rotor motor brake

MOTOR

- Single phase
- Totally enclosed fan cooled (TEFC) squirrel cage
- Re-connectable Voltage: 115/230-1-60
- Insulation class B
- Hertz: 60
- 60 minute, H4 rated, fan cooled for demanding applications

OVERLOAD PROTECTION

- Long-life friction clutch protects hoist from excessive overload damage

OVERTRAVEL PROTECTION

- Limit switch disables controls when load block reaches upper or lower travel limit

OPERATING CONDITIONS

- Recommended for -20° to +40° C and humidity of 85% or lower



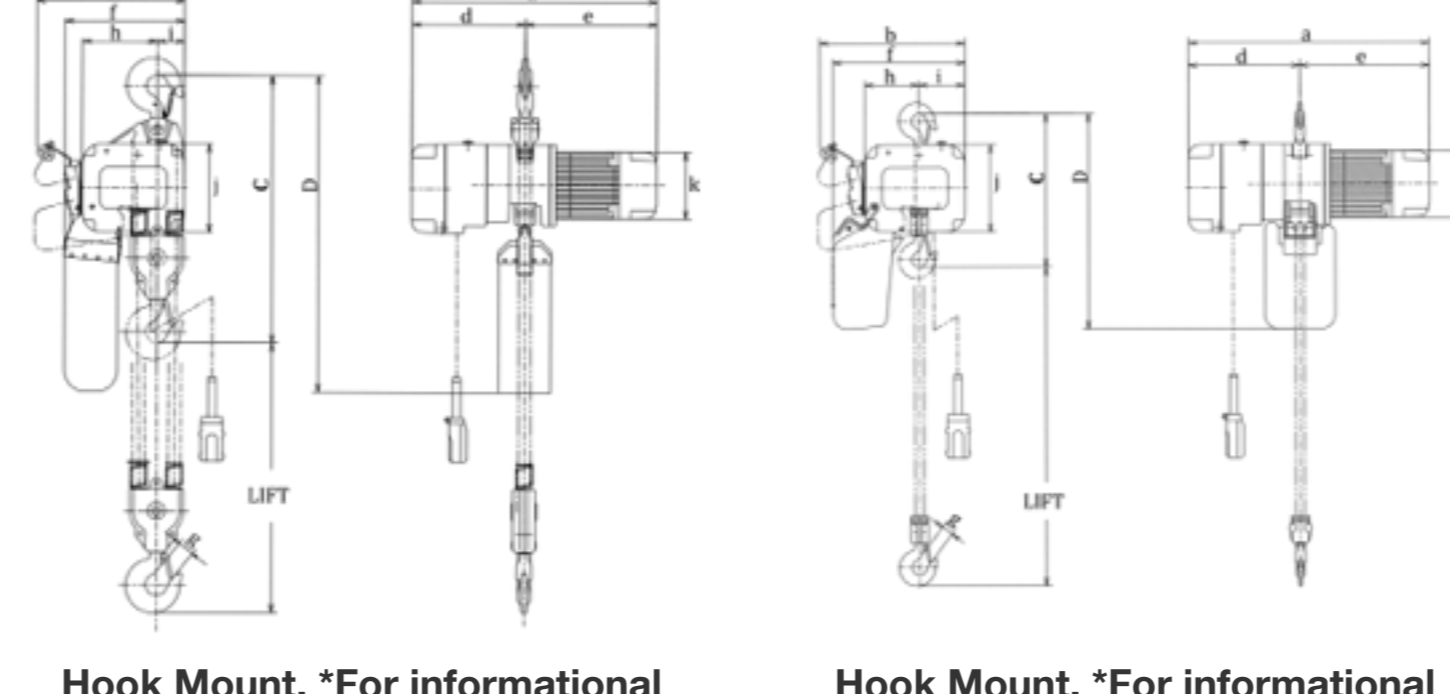
WWW.KITO.CA | 1.888.322.KITO (5486)

All specifications, dimensions and drawings are available at www.kito.ca, or call our Customer Service staff for friendly and expert advice on models and options.

SINGLE PHASE ELECTRIC CHAIN HOISTS 2

SER HEAVY DUTY ELECTRIC CHAIN HOIST

HEAVY-DUTY SINGLE SPEED HOIST - 115V, 230V HOOK MOUNT



Hook Mount, *For informational purposes only, contact KITO for dimensional drawing

Hook Mount, *For informational purposes only, contact KITO for dimensional drawing

DIMENSIONS

Capacity (tonne)	Model	D	a	b	C (Inches)	d.	e	f	j	h	i	g	k
1/4	SER003S	450	565	330	14	264	301	263	191	102	98	24	156
1/2	SER005L	450	565	330	14	264	301	263	191	102	98	24	156
1/2	SER005S	480	590	350	14.5	270	320	262	214	120	103	24	164
1	SER010L	490	590	350	16	270	320	262	214	120	103	31	164
1	SER010S	620	683	420	17	316	367	378	247	154	131	31	187
2	SER020L	650	683	420	22.5	316	367	378	247	154	131	37	187
3	SER030C	890	683	420	29.5	316	367	334	247	209	76	44	187

SPECIFICATIONS

Capacity (tonne)	Model	Headroom (in)	Standard Lift (ft)	Hoist Lifting	Trolley Traversing	Speed (ft/min)		Motor		Load Chain Code	Load Chain Falls	Ship Weight (lbs)	Weight per Add. ft. (lbs)
						Output (HP)	Current Draw (amps)	115V	230V				
1/4	SER003S	14	10	14	.	0.34	7.7	3.9	KER050	1	82	1.85	
1/2	SER005L	14	10	7	.	0.34	7.7	3.9	KER063	1	84	2.85	
1/2	SER005S	14.5	10	15	.	0.6	16.9	8.5	KER063	1	104	2.85	
1	SER010L	16	10	7	.	0.6	16.9	8.5	KER080	1	110	4.5	
1	SER010S	17	10	14	.	1.2	23.9	12	KER080	1	159	4.5	
2	SER020L	22.5	10	7	.	1.2	23.9	12	KER100	1	174	7.5	
3	SER030C	29.5	10	3.5	.	1.2	23.9	12	KER100	2	207	15.5	



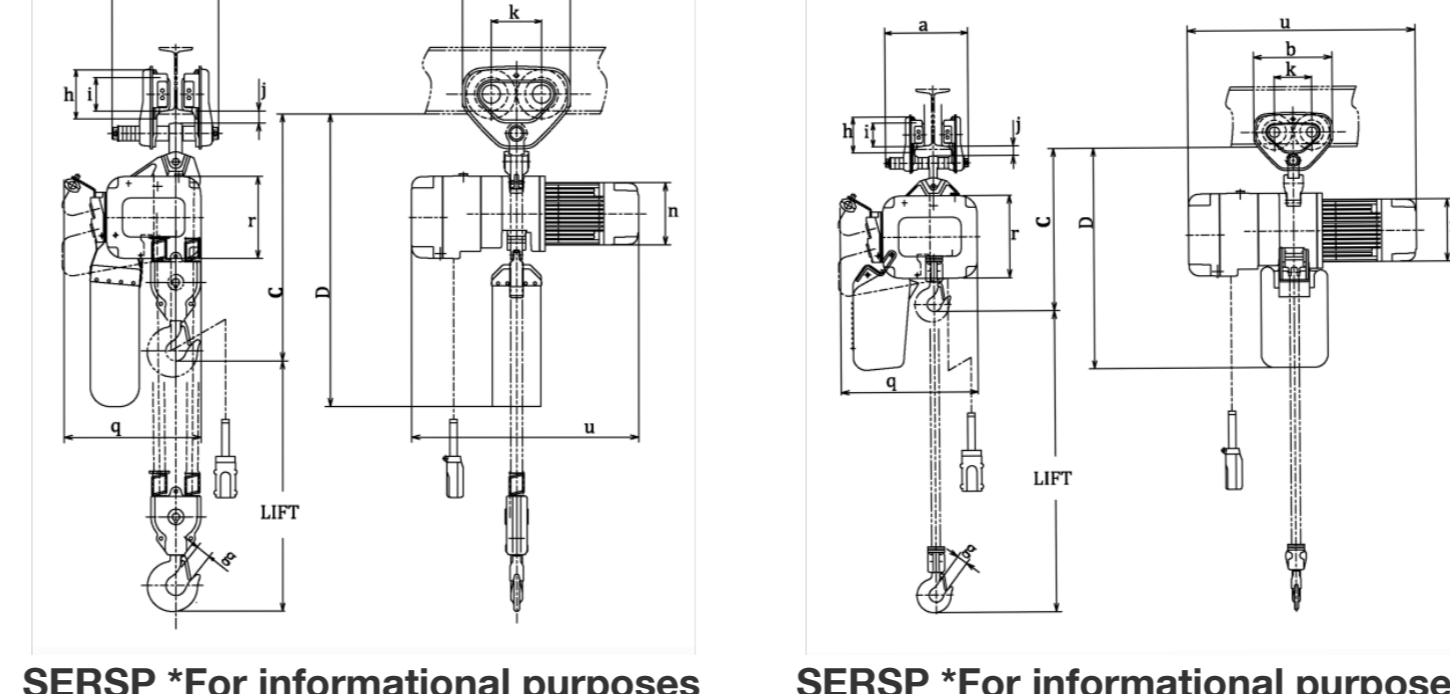
WWW.KITO.CA | 1.888.322.KITO (5486)

All specifications, dimensions and drawings are available at www.kito.ca, or call our Customer Service staff for friendly and expert advice on models and options.

SINGLE PHASE ELECTRIC CHAIN HOISTS 3

SER HEAVY DUTY ELECTRIC CHAIN HOIST

SERSP PLAIN TROLLEY MOUNT



SERSP *For informational purposes only, contact KITO for dimensional drawing

SERSP *For informational purposes only, contact KITO for dimensional drawing

DIMENSIONS

Capacity (tonne)	Model	D	a	b	C (Inches)	g	h	i	j	k	n	q	r	u
1/4	SERP003S	490	204	182	15.3	24	82	60	19	84	156	330	191	565
1/2	SERP005L	490	204	182	15.3	24	82	60	19	84	156	330	191	565
1/2	SERP005S	520	204	182	16	24	82	60	19	84	164	350	214	590
1	SERP010L	540	249	236	18	31	106	71	28	112	164	350	214	590
1	SERP010S	670	249	236	19.4	31	106	71	28	112	187	420	247	683
2	SERP020L	700	300	280	24.6	37	127	85	34	131	187	420	247	683
3	SERP030C	890	320	324	29.3	44	148	100	36	152	187	420	247	683

SPECIFICATIONS

Capacity (tonne)	Model	Headroom (in)	Standard Lift (ft)	Hoist Lifting	Trolley Traversing	Speed (ft/min)		Motor		Load Chain Code	Load Chain Falls	Ship Weight (lbs)	Weight per Add. ft. (lb)
						Output (HP)	Current Draw (amps)	115V	230V				
1/4	SERP003S	15.4	10	14	.	0.34	7.7	3.9	KER050	1	93	1.8	
1/2	SERP005L	15.4	10	7	.	0.34	7.7	3.9	KER063	1	95	2.8	
1/2	SERP005S	16.1	10	15	.	0.6	16.9	8.5	KER063	1	115	2.8	
1	SERP010L	18.1	10	7	.	0.6	16.9	8.5	KER080	1	130	4.6	
1	SERP010S	19.5	10	14	.	1.2	23.9	12	KER080	1	179	4.6	
2	SERP020L	24.6	10	7	.	1.2	23.9	12	KER100	1	209	7.5	
3	SERP030C	29.3	10	3.5	.	1.2	23.9	12	KER100	2	251	15	



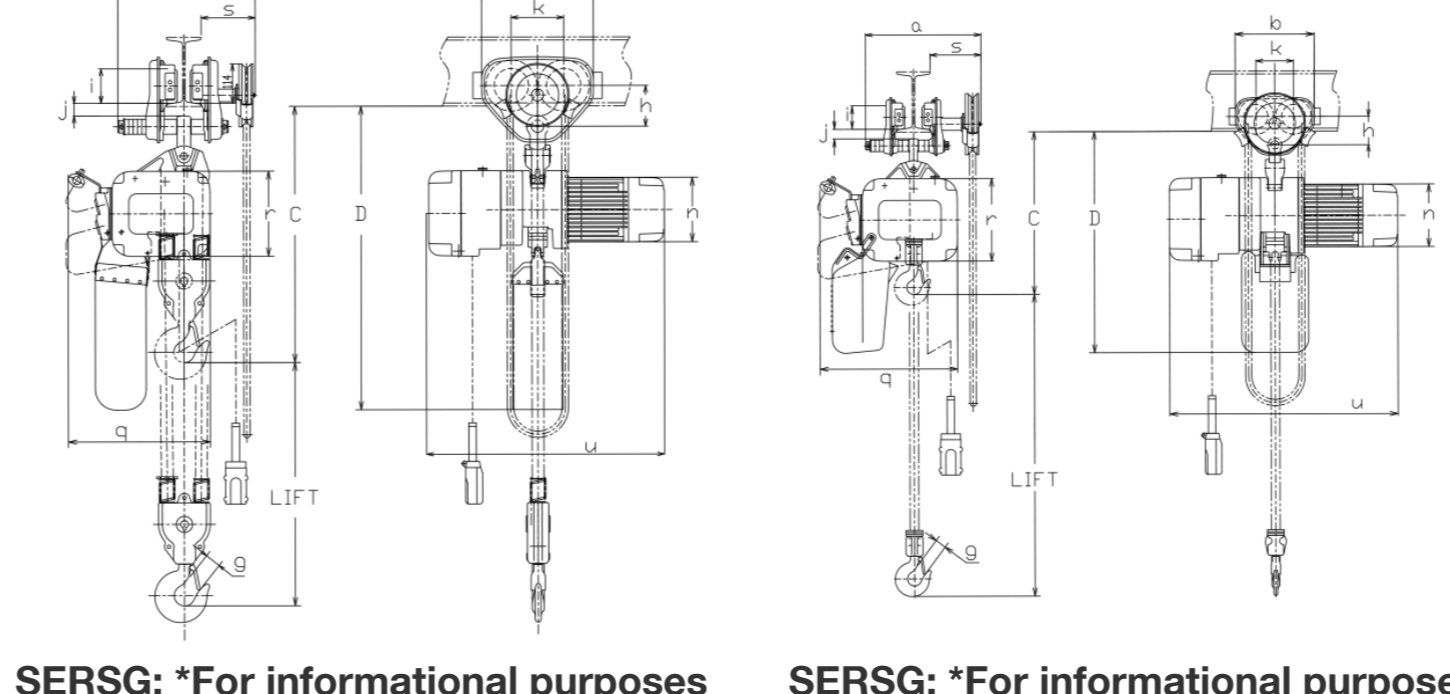
WWW.KITO.CA | 1.888.322.KITO (5486)

All specifications, dimensions and drawings are available at www.kito.ca, or call our Customer Service staff for friendly and expert advice on models and options.

SINGLE PHASE ELECTRIC CHAIN HOISTS 4

SER HEAVY DUTY ELECTRIC CHAIN HOIST

SERSG GEARED TROLLEY MOUNT



SERSG *For informational purposes only, contact KITO for dimensional drawing

SERSG *For informational purposes only, contact KITO for dimensional drawing

DIMENSIONS

Capacity (tonne)	Model	D	a	b	C (Inches)	g	h	i	j	k	n	q	r	u	s
1/4	SERSG003S	510	345	236	16	24	85	71	28	112	156	330	191	565	152
1/2	SERSG005L	510	345	236	16	24	85	71	28	112	156	330	191	565	152
1/2	SERSG005S	540	345	236	17	24	85	71	28	112	164	350	214	590	152
1	SERSG010L	540	345	236	18	31	85	71	28	112	164	350	214	590	152
1	SERSG010S	670	385	286	20	31	85	71	28	112	187	420	247	683	152
2	SERSG020L	700	385	280	25	37	104	85	34	131	187	420	247	683	154
3	SERSG030C	890	398	324	30	44	118	100	36	152	187	420	247	683	157

SPECIFICATIONS

Capacity (tonne)	Model	Headroom (in)	Standard Lift (ft)	Hoist Lifting	Trolley Traversing	Speed (ft/min)		Motor		Load Chain Code	Load Chain Falls	Ship Weight (lbs)	Weight per Add. ft. (lb)
						Output (HP)	Current Draw (amps)	115V	230V				
1/4	SERSG003S	16	10	14	.	0.34	7.7	3.9	KER050	1	110	1	
1/2	SERSG005L	16	10	7	.	0.34	7.7	3.9	KER063	1	112	2	
1/2	SERSG005S	17	10	15	.	0.6	16.9	8.5	KER063	1	135	2	
1	SERSG010L	18	10	7	.	0.6	16.9	8.5	KER080	1	143	4	
1	SERSG010S	20	10	14	.	1.2	23.9	12	KER080	1	190	4	
2	SERSG020L	25	10	7	.	1.2	23.9	12	KER100	1	220	7	
3	SERSG030C	30	10	3.5	.	1.2	23.9	12	KER100	2	265	1	



WWW.KITO.CA | 1.888.322.KITO (5486)

All specifications, dimensions and drawings are available at www.kito.ca, or call our Customer Service staff for friendly and expert advice on models and options.

SINGLE PHASE ELECTRIC CHAIN HOISTS 5